

INTER-TECH

SERVING THE FOOD PACKAGING INDUSTRY SINCE 1986

www.inter-techsupplies.com

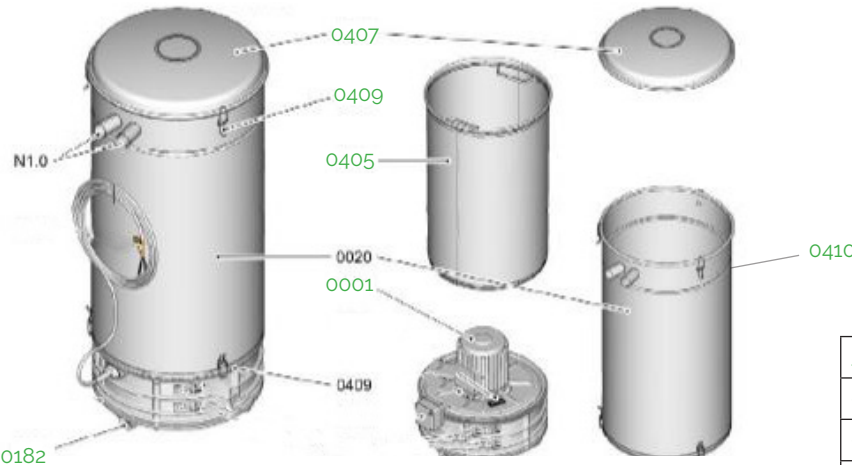
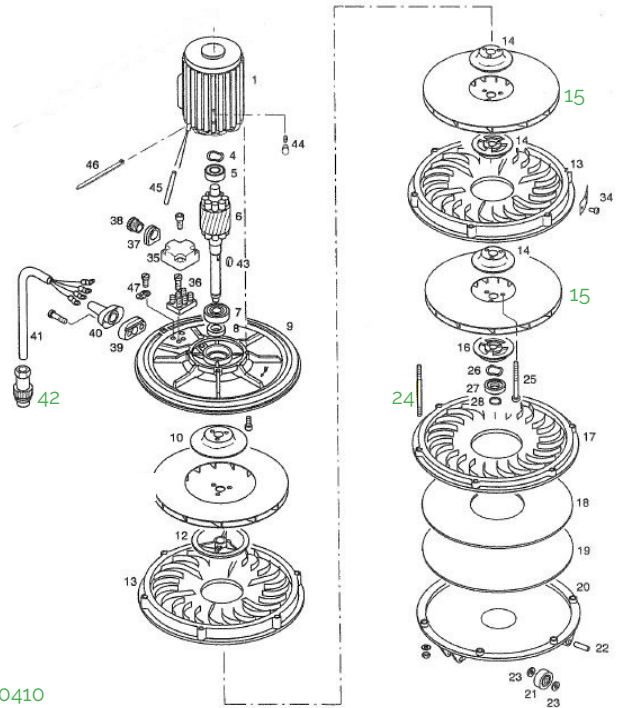
CALL TODAY
1-800-722-7761
FREE QUOTE

Trim Removal Unit

SAFELY AND EFFICIENTLY MANAGE SCRAP FILM FROM YOUR THERMOFORMER

TRIM REMOVAL UNIT - COMPLETE **PART # P31079**

GERMAN ENGINEERED FOR EFFICIENT HANDLING OF FILM TRIM WASTE



ITS PARTS AVAILABLE

0001	Base Motor Unit	P31785
0182	Castor Wheels	P30874
0405	Inner Basket	P31072
0407	Trim Removal Lid	P30199
0409	Clasp	P30639
0410	S.S. Outer Shell	P31774
	Trim Unit Gasket	P31092

REPLACEMENT ITS MOTOR PARTS

42	Plug -Male 4 pin	P30302
11	Impeller large center	P31146
15	Impeller Small center - 2 Required	P31147
24	Threaded Bolt for Base	P31216

OTHER MOTOR PARTS AVAILABLE UPON REQUEST

INCLUDE TWO - 3 FT. LENGTHS OF VACUUM HOSE
CUSTOM LENGTHS AVAILABLE!

PART # P30188

Inter-Tech Supplies, Inc. 802 East Fairmont Street. Allentown, PA18109 800-722-7761 or 610-435-1333
Inquire by E-mail: carterl@inter-techsupplies.com

Vacuum Trim Conversion Kit

COMPATIBLE WITH OUR TRIM REMOVAL UNIT

CUT THE SCRAP! SAVE TIME AND PREVENT THE MESS



Custom Vented Lid

SWITCH TO OUR VENTED **SPEED** POLY BAGS

Replace the inner can with our strong-weight vented Poly bag 100/rl



TRIM CONVERSION KIT

PART # P32650

Kit Includes

- Motor Shroud
- Roll of Bags (P32645)
- Lid for Trim Conversion
- Collar for Trim Conversion
- Handle
- Spacer
- Elbow
- Foot
- Plug for Canister
- Motor Shroud Gasket
- Washers and Nuts

* **CONVERSION KIT DOES NOT INCLUDE:**
stainless steel drum, base or motor

FEATURES

- Fits existing OEM upright unit
- Converts #P31079 to a bag system
- Replaces the inner can for tidier changeover
- Stainless steel motor shroud prevents rust
- Installs in seconds!



Scan here to see video